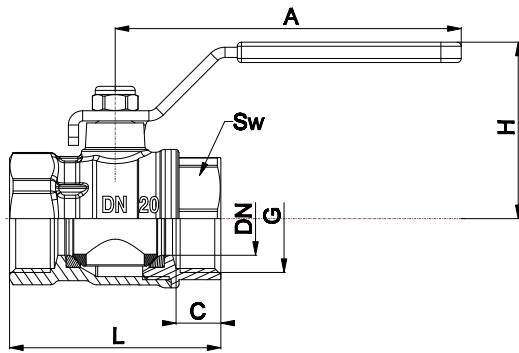


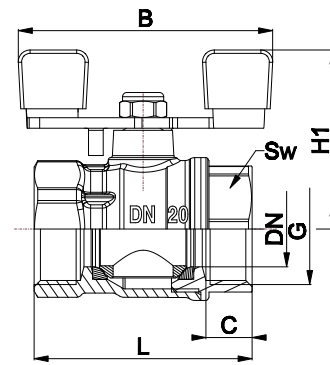
HERZ - ball valve

CLASSIC

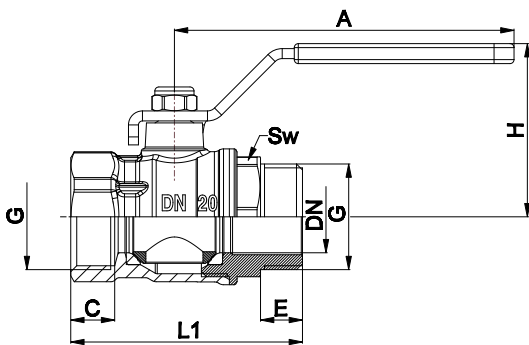
Datasheet 1 2208 XX , Issue 0223



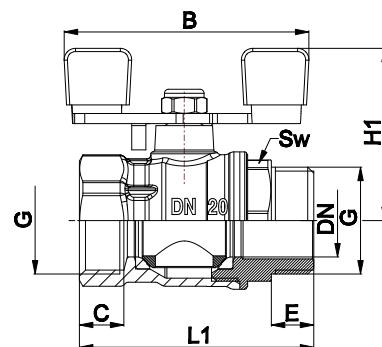
1 2201 81 (84)



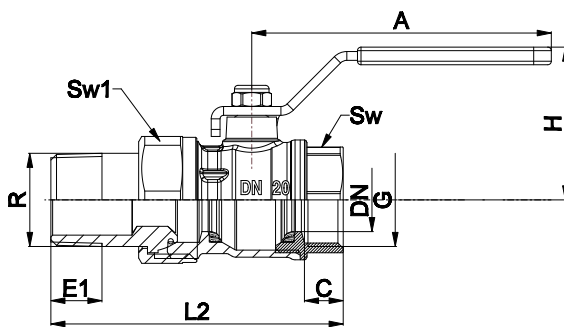
1 2208 11 (14)



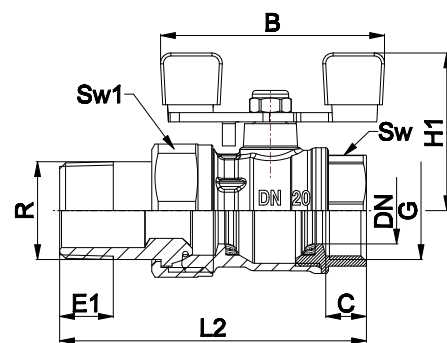
1 2208 21 (24)



1 2208 31 (34)



1 2208 41 (44)



1 2208 51 (54)

☑ Dimensions

DN	G ISO228	R ISO7/1	L [mm]	L1 [mm]	L2 [mm]	C [mm]	E [mm]	E1 [mm]	A [mm]	B [mm]	H [mm]	H1 [mm]	Sw	Sw1
15	G1/2	R1/2	44,6	52,1	69,6	11	10,5	13,2	85	60,6	41	40,4	25	30
20	G3/4	R3/4	51,9	58	83	11	10,5	14,5	85	60,6	43	42,6	30	36
25	G1	R1	63,6	70	92,4	14	13,5	16,8	115	85	54,6	60,1	38	46
32	G5/4	R5/4	74	82,5	109,5	15	14,5	19,1	115	85	58	63,9	47	52

☑ Versions

- 1 2208 01 (04) = IG x IG, steel sheet - plated, lever handle
- 1 2208 11 (14) = IG x IG, steel sheet - plated, T handle
- 1 2208 21 (24) = IG x AG, steel sheet - plated, lever handle
- 1 2208 31 (34) = IG x AG, steel sheet - plated, T handle
- 1 2208 41 (44) = IG x connection, steel sheet - plated, lever handle
- 1 2208 51 (54) = IG x connection, steel sheet - plated, T handle

☑ Construction

Body:	forged brass acc. EN 12165, nickel-plated, CW617N
Ball:	forged brass, chrom-plated, CW617N
Spindle:	brass, CW617N
Handle:	steel, red cover
Ball seal:	PTFE
Spindle and connection seal:	EPDM, Viton
Connections:	threads acc. ISO 228 and acc. ISO 7/1

☑ Operating data

Operating pressure:	max. 25 bar
Operating temperature range:	-10°C to +110 °C, (water +0,5 °C to +110 °C - no steam)
Medium:	water (non-aggressive media)

Heating water quality according to ÖNORM H5195 or VDI- Standard 2035. The use of ethylene or propylene glycol in amixing ratio 25- 50% is allowed. Please refer to manufacturers documentation when using ethylene glycol products for frost and corrosion protection. Please note that EPDM gaskets will be affected by Mineral oils lubricants and thus lead to failure of the EPDM seals in the valves that use EPDM seals. The HERZ ball valve for heating and chilled water is not suitable for usage of aggressive medium (such as: acids, alkalis, combustible and explosive gases..) because it can destroy sealing components.

☑ Description of HERZ ball valves for heating and chilled water

HERZ ball valves for heating and chilled water are high quality products that are assembled and pressure tested during the manufacturing process under constant quality control.

Advantages of HERZ ball valves for heating and chilled water are:

- all integrated components are the result of our own development,
- possibility of high pressure, high or low temperature and high flow of medium,
- easy to use and maintain,
- reliable design and long service life,
- permanent quality control of production in our own factories,
- easy installation.

☑ Field of application

HERZ ball valves have to be used as shut off elements. Field of application are building services, such as heating or chilled water plants. Ball valves are used wherever the medium flow has to be reliably closed. Ball valve should not be used as regulating element so it has to be fully opened or fully closed (the handle should not be in intermediate position).

☑ Assembly instruction

The threads of the pipe have to be coated with a suitable sealing material (spinning material, Teflon ribbon, sealing paste). There should not be excess of sealing material on the pipe because it can damage the thread. The ball valve with thread (G, R) is screwed onto the pipe. The pipes have to be correctly aligned, so the valve is not loaded with a bending moment. When using cooper or plastic pipes take into account pressure and temperature limits of used material. When assembling, use a suitable assembly tool that adapts to valve end connections (Sw, Sw1). The ball valve can be mounted in any position: horizontal, vertical or upside-down. Following assembly, the connections of ball valve must be checked for water-tightness by the installer. All engineering standards and recognised regulations must be adhered by these specialist staff. If there are impurities in the medium (water too hard, dust, etc.) there should be a filter installed, in other case the impurities can damage the seals in the valve.

☑ Brass

HERZ use top-quality brass that responds to the latest European norms DIN EN 12164, DIN EN 12165 and DIN EN 1982. Housings of ball valves are made from brass due to its good strenght, excellent corrosion resistance and variety of other properties.

☑ Function principle

Inspect the position of the handle to see whether the ball valve is opened or closed. It is opened if the handle is aligned with the pipe and it is closed if the handle is positioned perpendicularly to the pipe. Open or close the ball valve by rotating the handle for 90°.

☑ Maintenance instruction

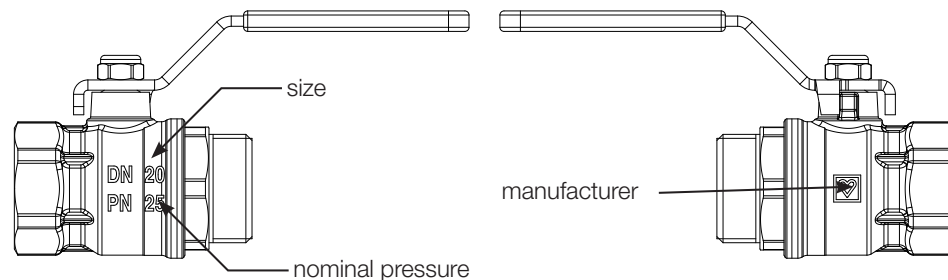
According to EN 806-5 (point 6. Operation) valves should always be in their fully opened or closed position and actuated at regular intervals to ensure they remain operational. Therefore HERZ Ball valves must be closed and opened for several times periodically every six months. This prevents the ball valve from blocking, reduces sediment deposition and reduces the possibility of corrosion inside the valve.

☑ Disposal instruction

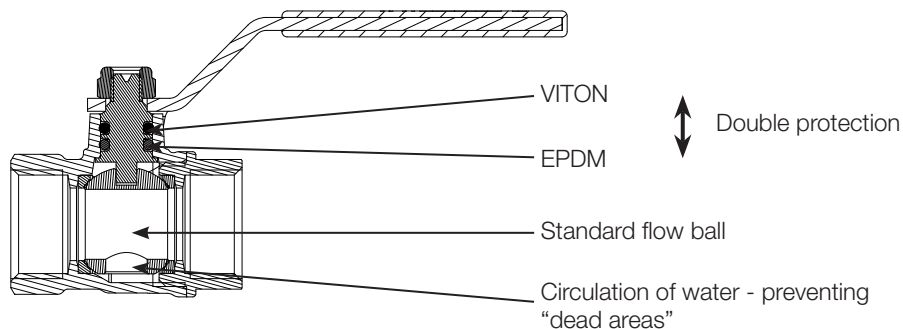
The disposal of HERZ ball valves for heating and chilled water must not endanger the health or the enviroment. National legal regulations for proper disposal of the HERZ ball valves for heating and chilled water have to be followed.

☑ Labels on ball valves

☑ HOUSING



☑ TECHNICAL FEATURES



Please note: All specifications and information within this document are reflecting the information available at the time of going to print and meant for informational purpose only. Herz Armaturen reserves the right to modify and change products as well as its technical specifications and/or it function according to technological progress and requirements. All diagrams are indicative in nature and do not to be complete. It is understood that all images of Herz products are symbolic representations and therefore may visually differ from the actual product. Colours may differ due to printing technology used. In case of any further questions don't hesitate to contact your closest HERZ Branch-Office.