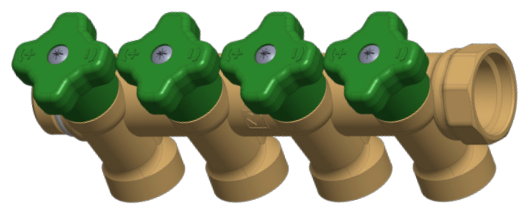
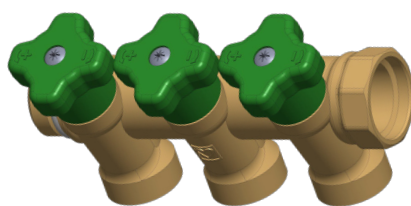
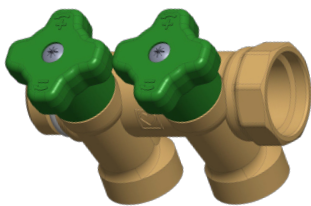


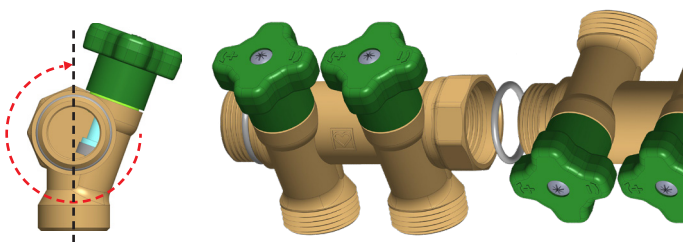


SANITARY WATER MANIFOLD SYSTEM

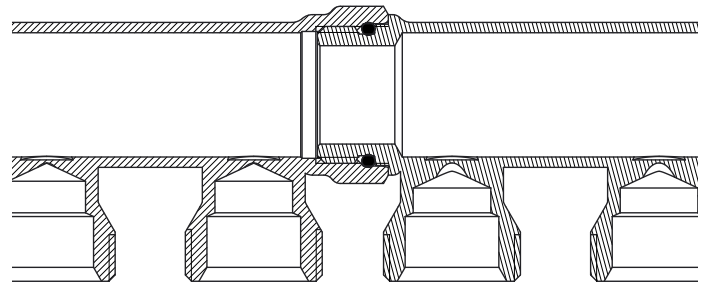
Available with 2, 3 or 4 outlets (euro connection) and G 3/4" main connection



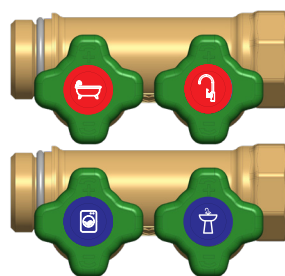
O-ring for soft-sealing connection:
no other sealing elements required



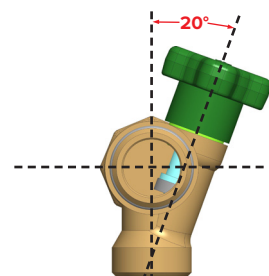
Self-aligning connections thanks to special
O-ring connection



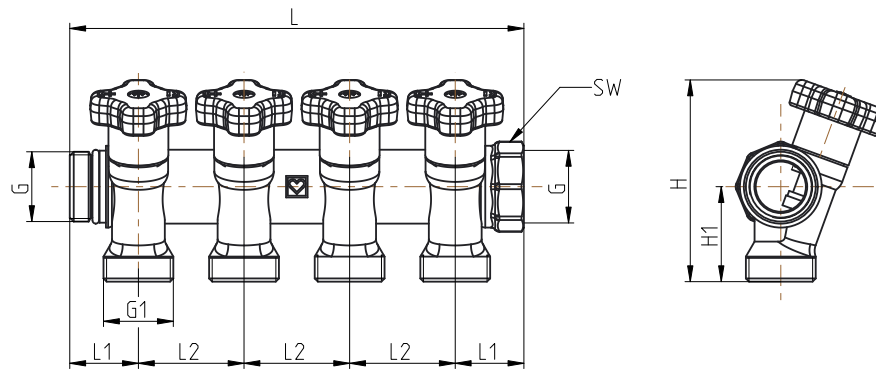
Label identification of outlets



Manifolds with isolation 20° inclined valves



COMPACT CONSTRUCTION, EASY TO INSTALL.

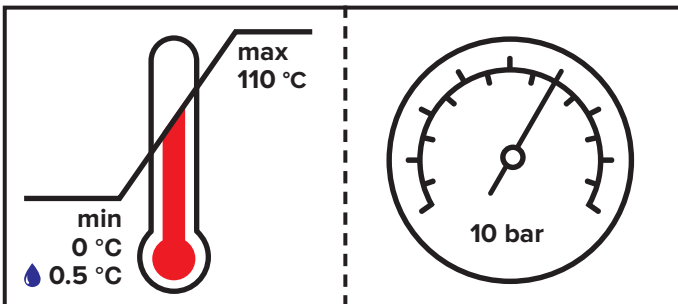


Art. Nr.	DN	Circuits	PN [bar]	G [in]	G1 [in]	L1 [mm]	L2 [mm]	H1 [mm]	H [mm]	L [mm]	SW [mm]
2 8530 02	20	2	10	3/4	3/4 eurocone	26	40	36	76.5	92	32
2 8530 03	20	3	10	3/4	3/4 eurocone	26	40	36	76.5	132	32
2 8530 04	20	4	10	3/4	3/4 eurocone	26	40	36	76.5	172	32

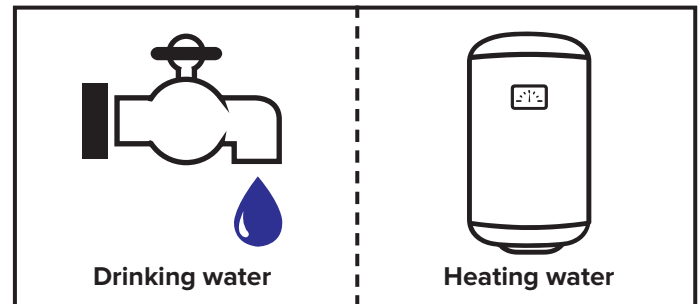
*4- circuit manifold is shown on the drawing above

OPERATING DATA

OPERATING CONDITIONS



MEDIUM



ADVANTAGES

- 1** All pipes centralized in one place in a cabinet - EASY CONTROL FOR THE USER
- 2** Quick modular connections between manifolds due to easy sealing design
- 3** The position of the handle makes it easier to access
- 4** Fewer fittings means less chance of leakage - direct connection to the sanitary tap, sink, baths, etc.
- 5** Reduced installation time of between 30 % - 40 % due to fewer fittings required
- 6** Each individual circuit, whether it is hot or cold, can be marked with stickers during installation
- 7** Manifolds can be installed in a convenient location for easy access, meaning less disruption to the building occupiers and ease of repair
- 8** Easy to use and maintain
- 9** Reliable design and long service life
- 10** Permanent quality control of production in our own factories
- 11** Easy installation
- 12** Compatibility with other HERZ products