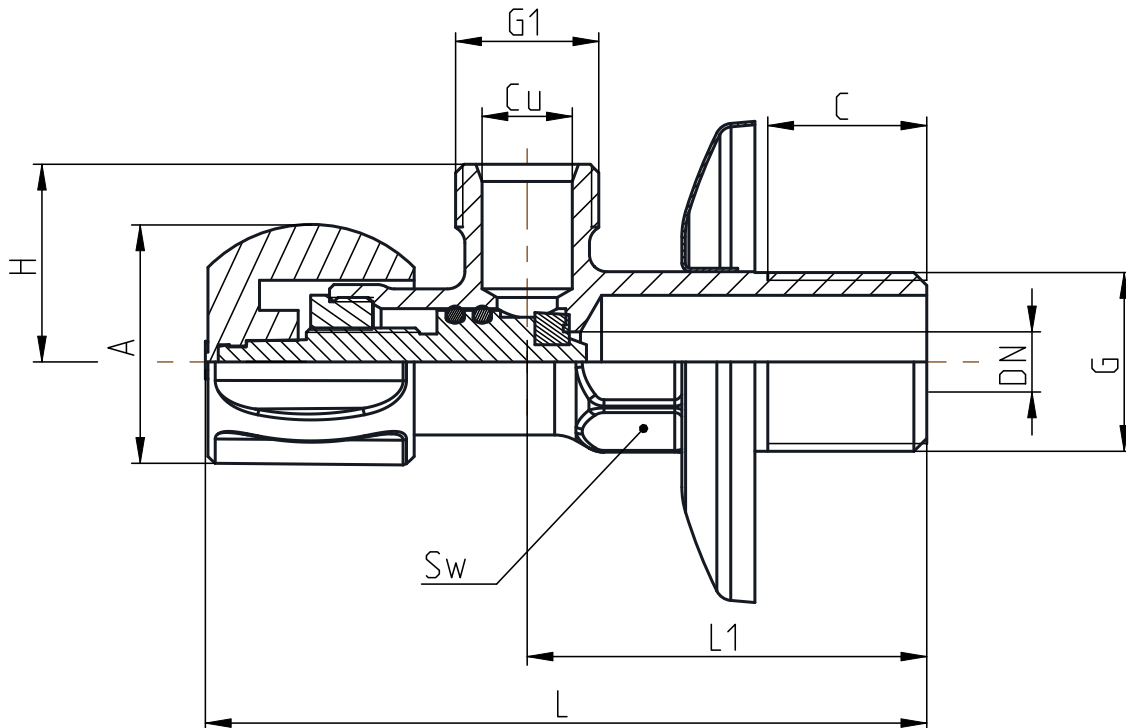


HERZ Angle valve with flat sealing for potable water

Datasheet for U H160 04 / U H160 14 / U H160 24, Issue 0623

☑ Dimensions



Article Number	G [in]	G1 [in]	Cu [mm]	C [mm]	L [mm]	L1 [mm]	A [mm]	H [mm]	Sw [mm]
U H160 04	1/2	3/8	10,5	20	84	46,5	26,5	23	19
U H160 14	1/2	1/2	14,5	20	84	46,5	26,5	23	19
U H160 24	1/2	3/4	9	20	84	46,5	26,5	23	19

* U H160 04 is shown on the drawing above.

☑ Material and construction

Valve body:	forged brass according to EN 12165, chrome-plated
Spindle:	machined brass according to EN 12164
Handle:	ABS (chrome-plated)
Seals on the spindle:	NBR, EPDM
External threaded connections:	according to ISO 228-1

☑ Operating data

Nominal pressure:	16 bar
Min. operating temperature:	0,5 °C
Max. operating temperature:	85 °C
Medium:	water, potable water

Field of application

HERZ angle valves for potable water are used as shut-off elements. Areas of application are water installations. Three different versions of this valve are available:

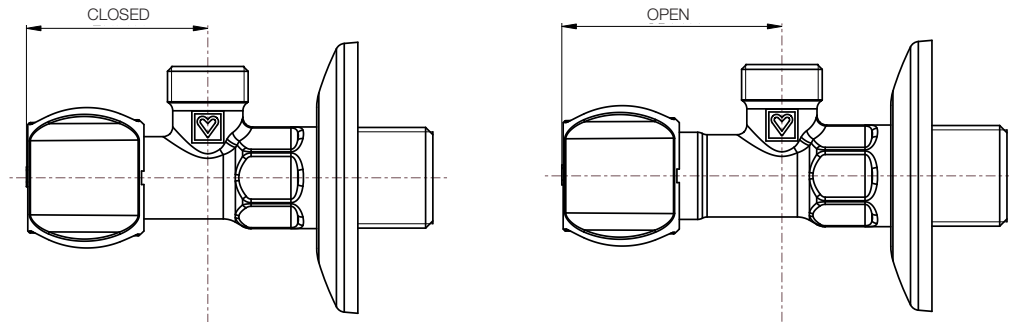
1. Version with threads G1/2" – G3/8"
2. Version with threads G1/2" – G3/4" (G3/8" - G3/4" adapter included in the set)
3. Version with threads G1/2" – G1/2"

Assembly

The threads of the valve have to be coated with a suitable sealing material (spinning material, Teflon ribbon, sealing paste). There should not be excess of sealing material on the pipe because it can damage the thread. The valve with an external thread (G) is then screwed into the fitting in the wall. In the case of using a copper or plastic pipe, the pressure and temperature limits of the material used must be taken into account. When installing, use the appropriate mounting tool that fits the connections on the valve (Sw). The angle valve can be mounted in any position; horizontally, vertically or upside down. After installation, it is necessary to check the sealing of the valve by a qualified installer. Qualified professionals must follow all engineering standards and regulations. In the case of impurities in the medium (hard water, dust, etc.), it is necessary to install a filter, otherwise the impurities can damage the seals in the valve.

Working principle

Check the position of the lever, whether the valve is opened or closed. By screwing or unscrewing the handle, the function of the valve is changed (open/closed state). The valve is open when the handle is fully unscrewed in a counter-clockwise direction. The valve is closed when the handle is fully screwed clockwise.



Maintenance

For the valve to function properly, it must be fully opened and closed every 6 months. This prevents blocking of the valve, reduces the loading of substances on the surface of the sealing element and reduces the possibility of corrosion inside the valve. Repairs to the valve may only be carried out by a qualified person.

Disposal instructions

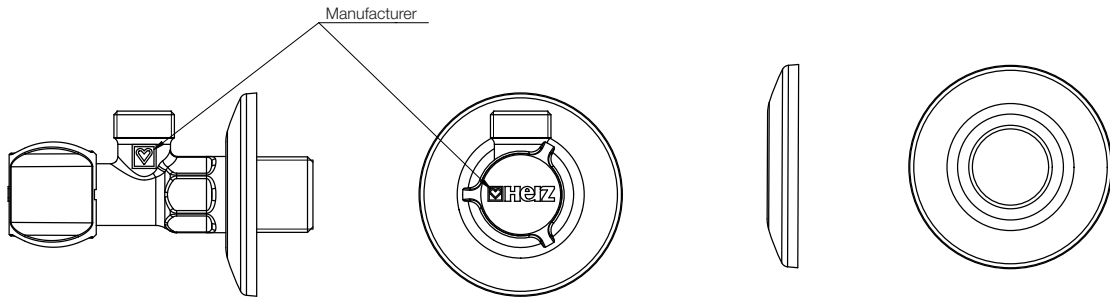
The disposal of Herz valves must not pose a risk to health and the environment. It is necessary to observe the national regulations for the disposal of such products.

Material

Pursuant to Article 33 of the REACH Regulation (EC No. 1907/2006), we are obliged to point out that the material lead is listed on the SVHC list and that all brass components manufactured in our products exceed 0.1% (w / w) lead (CAS: 7439-92-1 / EINECS: 231-100-4). Since lead is a component part of an alloy, actual exposure is not possible and therefore no additional information on safe use is necessary.

Please note: All specifications and information within this document are reflecting the information available at the time of going to print and meant for informational purpose only. Herz Armaturen reserves the right to modify and change products as well as its technical specifications and/or its function according to technological progress and requirements. All diagrams are indicative in nature and do not to be complete. It is understood that all images of Herz products are symbolic representations and therefore may visually differ from the actual product. Colours may differ due to printing technology used. In case of any further questions don't hesitate to contact your closest HERZ Branch-Office.

☑ Spare parts



Valve article number	Rosette article number
U H160 04, U H160 14, U H160 24	2223630R

